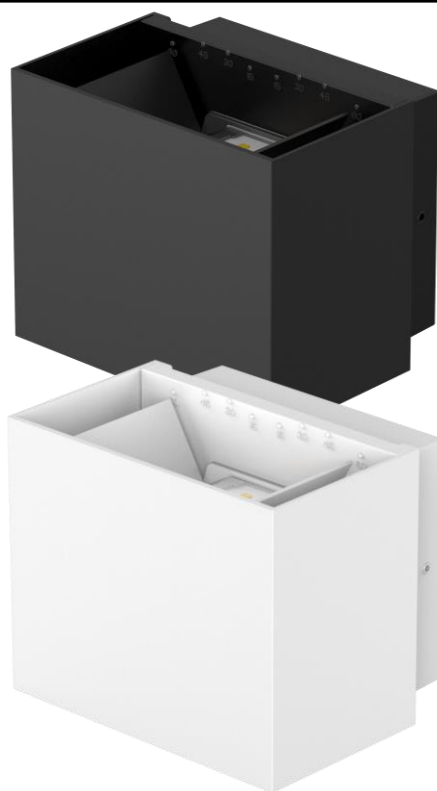




10w CUBE LED Wall Light – Up/Down

Product Features

- Only consumes 10w of power
- Warm white (3000K) or cool white (5000K)
- 15° to 120° Adjustable beam angle
- Aluminium housing
- Choice of black or white trim
- 120 x 97 x 100mm
- IP65 Housing
- Weight: 590g



Specification Overview

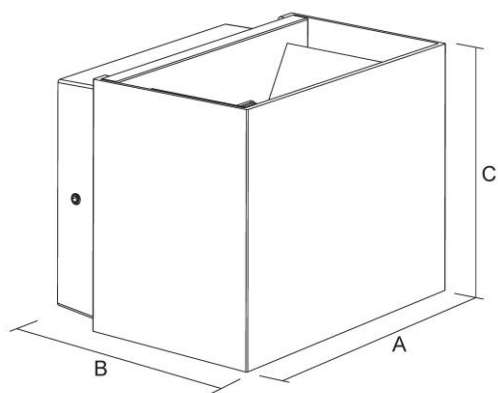


Model	Power	Power Requirement	Colour Temp	Lumens	Beam Angle	Trim Colour	Dimensions
WL-CUBE10-R-B	10w	220~240VAC	3000K	750lm	15~120°	Black	120x97x100mm
WL-CUBE10-R-W	10w	220~240VAC	3000K	750lm	15~120°	White	120x97x100mm
WL-CUBE10-V-B	10w	220~240VAC	5000K	900lm	15~120°	Black	120x97x100mm
WL-CUBE10-V-W	10w	220~240VAC	5000K	900lm	15~120°	White	120x97x100mm

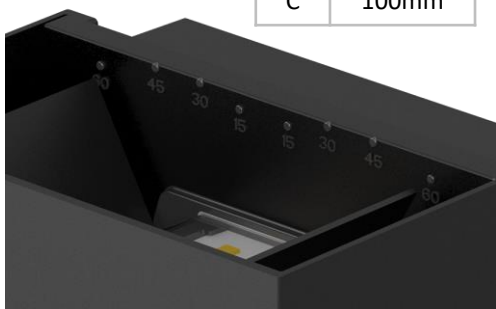
Product Specification



10w CUBE LED Wall Light – Up/Down



A	120mm
B	97mm
C	100mm



Specification

Model	WL-CUBE10-R	WL-CUBE10-V
Colour Temperature (1CCT)	3000K	5000K
Lumen (lm)	750lm	900lm
Efficiency (lm/w)	>75 lm/w	>90 lm/w
Light Source	LED	
CRI (%)	≥80	
Beam Angle	Adjustable 15° ~ 120°	
Power Requirement	220~240VAC	
Power Consumption	10w	
Dimmable	No	
Housing	Aluminium	
Trim Colour	Black or White	
Lifespan	>50,000 hours	
Operation Temperature	-20°C~+65°C	
Product Dimension	120 x 97 x 100mm	
Weight	590g	
Protection Rating	IP65	
Warranty	3 Years	

Specifications are subject to change without notice