



## 20w CUBE LED Wall Light – Up/Down

### Product Features

- Only consumes 18w of power
- Warm white (3000K) or cool white (5000K)
- 15° to 120° Adjustable beam angle
- Aluminium housing
- Choice of black or white trim
- 242 x 98 x 100mm
- IP65 Housing
- Weight: 1.1kg



### Specification Overview

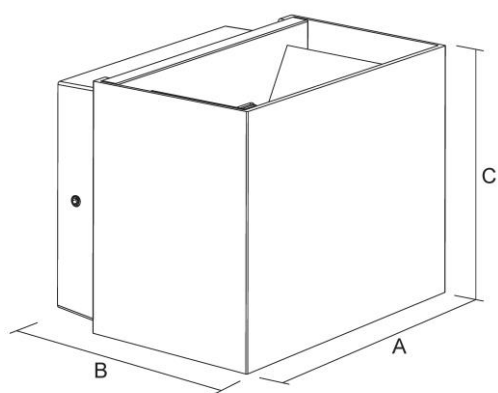


Model	Power	Power Requirement	Colour Temp	Lumens	Beam Angle	Trim Colour	Dimensions
WL-CUBE20-R-B	18w	220~240VAC	3000K	1150lm	15~120°	Black	242x98x100mm
WL-CUBE20-R-W	18w	220~240VAC	3000K	1150lm	15~120°	White	242x98x100mm
WL-CUBE20-V-B	18w	220~240VAC	5000K	1350lm	15~120°	Black	242x98x100mm
WL-CUBE20-V-W	18w	220~240VAC	5000K	1350lm	15~120°	White	242x98x100mm

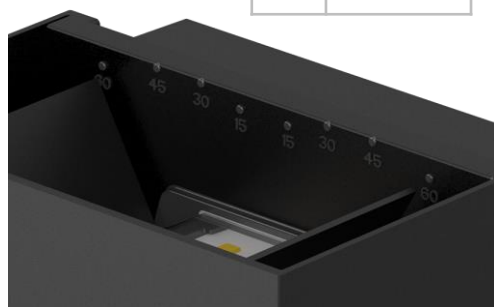
# Product Specification



## 20w CUBE LED Wall Light – Up/Down



A	242mm
B	98mm
C	100mm



### Specification

Model	WL-CUBE20-R	WL-CUBE20-V
Colour Temperature (1CCT)	3000K	5000K
Lumen (lm)	1150lm	1350lm
Efficiency (lm/w)	>63 lm/w	>75 lm/w
Light Source	LED	
CRI (%)	≥80	
Beam Angle	Adjustable 15° ~ 120°	
Power Requirement	220~240VAC	
Power Consumption	18w	
Dimmable	No	
Housing	Aluminium	
Trim Colour	Black or White	
Lifespan	>50,000 hours	
Operation Temperature	-20°C~+65°C	
Product Dimension	242 x 98 x 100mm	
Weight	1.1kg	
Protection Rating	IP65	
Warranty	3 Years	

Specifications are subject to change without notice