



13w SWIVEL LED Wall Light – Up/Down

Product Features

- Only consumes 13w of power
- Warm white (3000K) or cool white (5000K)
- Adjustable top and bottom sections (340°) to direct light where you require
- 90° beam angle
- Aluminium housing
- Choice of black or white trim
- Ø65 x 220 x 94mm
- IP54 Housing
- Weight: 990g



Specification Overview

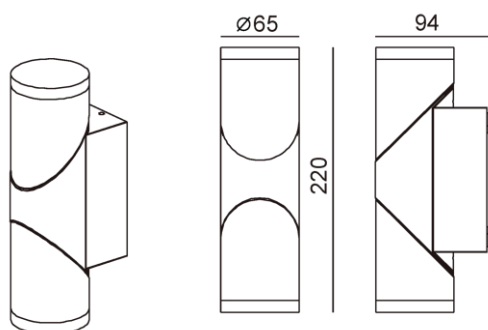


Model	Power	Power Requirement	Colour Temp	Lumens	Beam Angle	Trim Colour	Dimensions
WL-SWIVEL13-R-B	13w	220~240VAC	3000K	700lm	90°	Black	Ø65x220x94mm
WL-SWIVEL13-R-W	13w	220~240VAC	3000K	700lm	90°	White	Ø65x220x94mm
WL-SWIVEL13-V-B	13w	220~240VAC	5000K	800lm	90°	Black	Ø65x220x94mm
WL-SWIVEL13-V-W	13w	220~240VAC	5000K	800lm	90°	White	Ø65x220x94mm

Product Specification



13w SWIVEL LED Wall Light – Up/Down



Specification

Model	WL-SWIVEL13-R	WL-SWIVEL13-V
Colour Temperature (1cct)	3000K	5000K
Lumen (lm)	700lm	800lm
Efficiency (lm/w)	>53 lm/w	>61 lm/w
Light Source	LED	
CRI (%)	≥80	
Beam Angle	90°	
Power Requirement	220~240VAC	
Power Consumption	13w	
Dimmable	No	
Housing	Aluminium	
Trim Colour	Black or White	
Lifespan	>50,000 hours	
Operation Temperature	-20°C~+65°C	
Product Dimension	Ø65 x 220 x 94mm	
Weight	990g	
Protection Rating	IP54	
Warranty	3 Years	

Specifications are subject to change without notice