



10w EDGE LED Wall Light – Up/Down

Product Features

- Only consumes 10w of power
- 3 colours in one: 3000K, 4000K, 5000K (switch select)
- Aluminium housing
- Compact and stylish fitting
- Choice of black or white trim
- 175 x 90 x 30.5mm
- IP65 Housing
- Weight: 570g



3 Colour Adjustable



Specification Overview

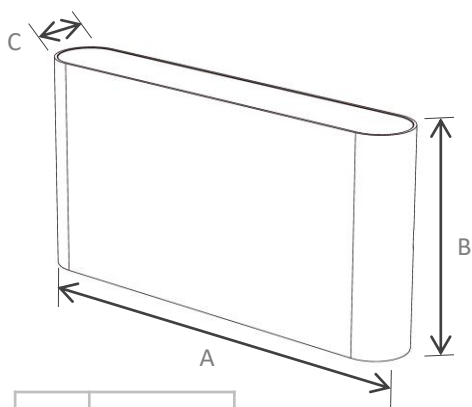


Model	Power	Power Requirement	Colour Temp	Lumens	Beam Angle	Trim Colour	Dimensions
WL-EDGE10-3C-B	10w	220~240VAC	3000K/4000K/5000K	1060lm	29x77°	Black	175x90x30.5mm
WL-EDGE10-3C-W	10w	220~240VAC	3000K/4000K/5000K	1060lm	29x77°	White	175x90x30.5mm

Product Specification



10w EDGE LED Wall Light – Up/Down



A	175mm
B	90mm
C	30.5mm



Specification

Model	WL-EDGE10-3C-B	WL-EDGE10-3C-W
Trim Colour	Black	White
Colour Temp. (3CCT)	3000K/4000K/5000K	
Lumen (lm)	1060lm	
Efficiency (lm/w)	>106 lm/w	
Light Source	LED	
CRI (%)	≥80	
Beam Angle	8° Polarised Lens (29°x77°)	
Power Requirement	220~240VAC	
Power Consumption	10w	
Dimmable	No	
Housing	Aluminium	
Lifespan	>50,000 hours	
Operation Temperature	-20°C~+45°C	
Product Dimension	175 x 90 x 30.5mm	
Weight	570g	
Protection Rating	IP65	
Warranty	3 Years	

Specifications are subject to change without notice